

EC Compact series

Ultra compact emergency switches •
panel cut-out Ø 22 mm



DISTINCTIVE FEATURES

Ultra compact emergency stop switches with Ø22 mm bushing

Low behind-the-panel depth

Front sealing : IP65

Approved according to EN 60947-5-1, EN 60947-5-5



ELECTRICAL SPECIFICATIONS

- Electrical function : Two poles, normally closed contact (NC).
- Current/voltage rating (EN60947-5-1):
Ui : 250 V, Uimp : 2.5 kV, direct opening action
AC15 B300, 3 A/120 V; 1.5 A/240 V, Ith: 5 A
DC13 R300, 220 mA/125 V; 110 mA/250 V, Ith: 1 A
- Electrical life : 50,000 lifecycle (6,050 lifecycles according EN60947-5-1)
- Dielectric strength : 2,500 Vrms 50 Hz min. between terminals



ENVIRONMENTAL SPECIFICATIONS

- Front panel sealing : IP65
- Operating temperature : -35 °C to +70 °C (-31 °F to +158 °F)
- Storage temperature : -40 °C to +85 °C (-40 °F to +185 °F)
- Vibrations and shock : According to UL60947-5-5



GENERAL SPECIFICATIONS

- Panel thickness : 1-4 mm (.039 - .157) max.
- Torque : 1.5 Nm max. applied to nut



MATERIALS

- Case : PA66
 - Actuator : PA66
 - Bushing : PA66
 - Contacts and terminals : Brass silver plated + silver rivet
- APEM products may be recycled at end-of-life for the re-claiming of valuable metal components.

The company reserves the right to change specifications without notice.

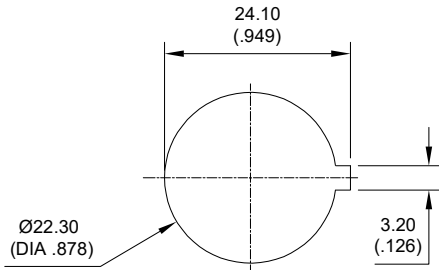


EC Compact series

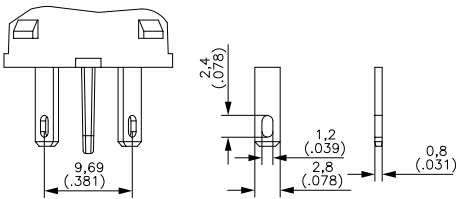
Ultra compact emergency switches • panel cut-out Ø 22 mm



PANEL CUT-OUT



TERMINALS



ELECTRICAL FUNCTIONS



Double pole
Normally closed

AGENCY APPROVALS



UL 60 947-5-1
IEC 60 947.5-5
UL60 947.1



2014/35/EU

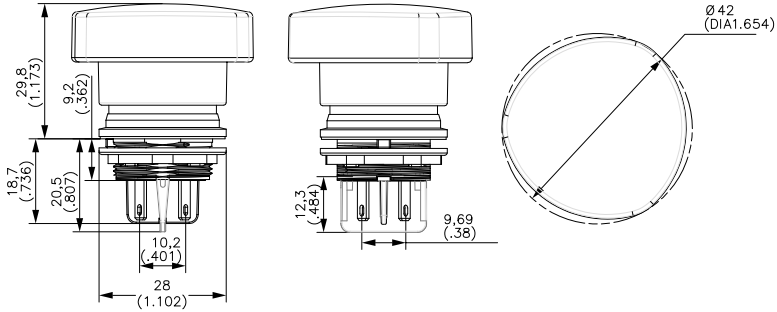
EC Compact series

Ultra compact emergency switches • panel cut-out \varnothing 22 mm

DOUBLE POLE,
TRIANGLE ACTUATOR WITH PULL TO RELEASE



EC-AMA-F-013-A



DOUBLE POLE,
ROUND ACTUATOR WITH TURN TO RELEASE



EC-AMA-F-011-A

